

Datasheet of LED Puck Light



Features:

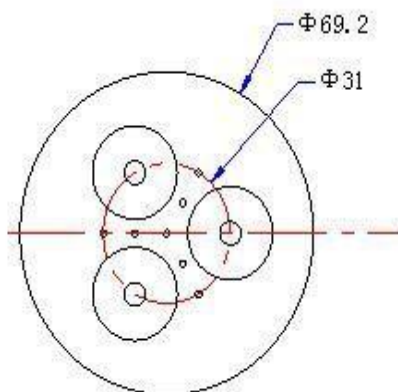
1. Beautiful appearance with neat structure
2. Easy installation. Surface mounted with screws.

Applications:

1. Cabinet lighting
2. Shelf lighting
3. Display case lighting
4. Museum and art lighting



Model Number: LL-CL-05



Photometric Characteristics

| | | |
|-----------------------|-----------------------------------|------------------------|
| Light Source | 3x1W Edison LED/Cree LED | |
| Color Temperature | 6000-6500K(cool white) | 2800-3300K(warm white) |
| Lumen Output | 210/255lm | 180/225lm |
| Beam Angle | 110° | |
| Color Rendering Index | CRI>75 | |
| Effective Lifetime | >50,000hrs(70% Lumen Maintenance) | |

Mechanical Characteristics

| | |
|---------------------|---------------------------|
| Way of Installation | Surface mounted by screws |
| Dimension | Φ69.2X(H)13.5 |
| Protection Rating | IP54 |
| Net Weight | / |

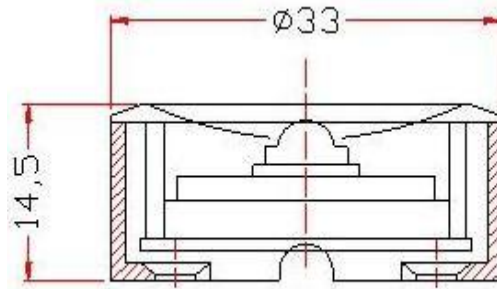
Electrical Characteristics

| | |
|-----------------|-------|
| Lamp Wattage | 3W |
| Input Voltage | DC12V |
| Working Current | 350mA |

Temperature Range

| | |
|---------------------|--|
| Ambient Temperature | -40°C to 50°C |
| Working Temperature | less than 50°C(at room temperature 25°C) |

Model Number: LL-CL-01



Photometric Characteristics

| | | |
|-----------------------|---|------------------------|
| Light Source | 1W Edison LED/1W high lumen CREE LED(cool white, Q5, warm white P4) | |
| Color Temperature | 6000-6500K(cool white) | 2800-3300K(warm white) |
| Lumen Output | 70/120lm | 60/85lm |
| Beam Angle | 120° | |
| Color Rendering Index | CRI>75 | |
| Effective Lifetime | >50,000hrs(70% Lumen Maintenance) | |

Mechanical Characteristics

| | |
|---------------------|---------------------------|
| Way of Installation | Surface mounted by screws |
| Dimension | Φ33X(H)14.5 |
| Protection Rating | IP54 |
| Net Weight | / |

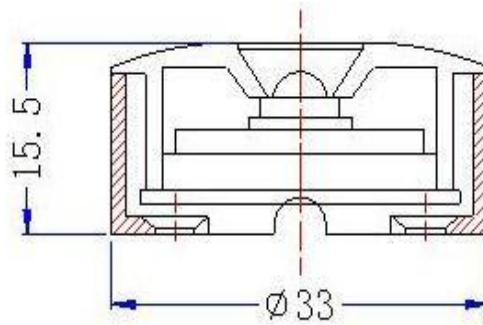
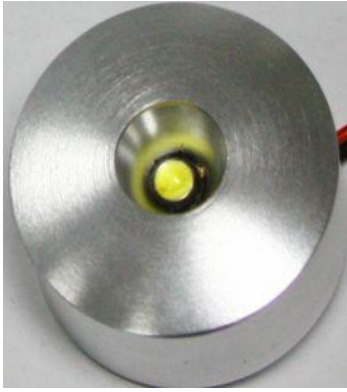
Electrical Characteristics

| | |
|-----------------|-------|
| Lamp Wattage | 1W |
| Input Voltage | DC12V |
| Working Current | 350mA |

Temperature Range

| | |
|---------------------|--|
| Ambient Temperature | -40°C to 50°C |
| Working Temperature | less than 50°C(at room temperature 25°C) |

Model Number: LL-CL-02



Photometric Characteristics

| | | |
|-----------------------|---|------------------------|
| Light Source | 1W Edison LED/1W high lumen CREE LED(cool white, Q5, warm white P4) | |
| Color Temperature | 6000-6500K(cool white) | 2800-3300K(warm white) |
| Lumen Output | 70/120lm | 60/85lm |
| Beam Angle | 60° | |
| Color Rendering Index | CRI>75 | |
| Effective Lifetime | >50,000hrs(70% Lumen Maintenance) | |

Mechanical Characteristics

| | |
|---------------------|---------------------------|
| Way of Installation | Surface mounted by screws |
| Dimension | Φ33X(H)15.5 |
| Protection Rating | IP54 |
| Net Weight | |

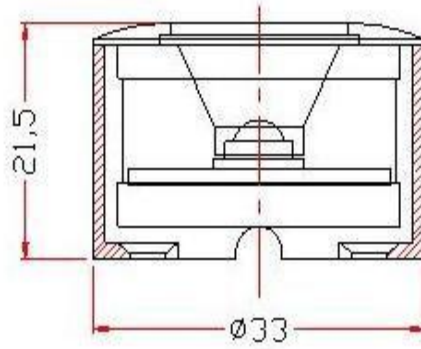
Electrical Characteristics

| | |
|-----------------|-------|
| Lamp Wattage | 1W |
| Input Voltage | DC12V |
| Working Current | 350mA |

Temperature Range

| | |
|---------------------|--|
| Ambient Temperature | -40°C to 50°C |
| Working Temperature | less than 50°C(at room temperature 25°C) |

Model Number: LL-CL-03



Photometric Characteristics

| | | |
|-----------------------|---|------------------------|
| Light Source | 1W Edison LED/1W high lumen CREE LED(cool white, Q5, warm white P4) | |
| Color Temperature | 6000-6500K(cool white) | 2800-3300K(warm white) |
| Lumen Output | 70/120lm | 60/85lm |
| Beam Angle | 30°,45°, 60° | |
| Color Rendering Index | CRI>75 | |
| Effective Lifetime | >50,000hrs(70% Lumen Maintenance) | |

Mechanical Characteristics

| | |
|---------------------|---------------------------|
| Way of Installation | Surface mounted by screws |
| Dimension | Ø33mmx21.5mm |
| Protection Rating | IP54 |
| Net Weight | |

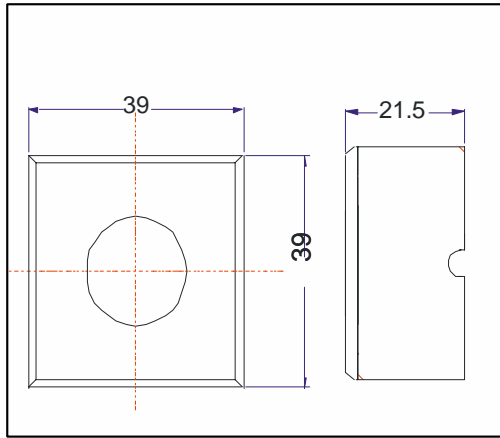
Electrical Characteristics

| | |
|-----------------|-------|
| Lamp Wattage | 1W |
| Input Voltage | DC12V |
| Working Current | 350mA |

Temperature Range

| | |
|---------------------|--|
| Ambient Temperature | -40°C to 50°C |
| Working Temperature | less than 50°C(at room temperature 25°C) |

Model Number: LL-CL-04



Photometric Characteristics

| | | |
|-----------------------|---|------------------------|
| Light Source | 1W Edison LED/1W high lumen CREE LED(cool white, Q5, warm white P4) | |
| Color Temperature | 6000-6500K(cool white) | 2800-3300K(warm white) |
| Lumen Output | 70/120lm | 60/85lm |
| Beam Angle | 30°,45°, 60° | |
| Color Rendering Index | CRI>75 | |
| Effective Lifetime | >50,000hrs(70% Lumen Maintenance) | |

Mechanical Characteristics

| | |
|---------------------|---------------------------|
| Way of Installation | Surface mounted by screws |
| Dimension | W39mmxH21.3mm |
| Protection Rating | IP54 |
| Net Weight | |

Electrical Characteristics

| | |
|---------------|---------------------------------|
| Lamp Wattage | 1W |
| Input Voltage | DC12V or 350mA constant current |

Temperature Range

| | |
|---------------------|--|
| Ambient Temperature | -40°C to 50°C |
| Working Temperature | less than 50°C(at room temperature 25°C) |